

FEATURES

Your Automatic Rolling Door Opener has many features which you will appreciate. The components and Materials used in this control board are of the latest Technology and highest Quality. Below are listed some of the features.

OPERATION

To operate the door simply press the hand held transmitter or the wall mounted switch for two seconds and the door will automatically open or close. The door can be stopped during opening or closing cycle by pressing the wall switch or hand held transmitter. The next actuation will move the door in the opposite direction.

SAFETY OBSTRUCTION REVERSE

While the door is doing a closing cycle and it should hit an obstacle or be restricted in some manner, it will automatically reverse. The amount of force the door should encounter before reversing is adjustable. The door also if restricted whilst opening will stop. The Safety Obstruction Forces should be checked at least once a month.

AUTOMATIC COURTESY LIGHT

The Courtesy Light on the Opener comes on automatically whenever the door is activated to do an opening or closing cycle. The light will stay on for approximately three minutes then turns off automatically. The Light can also be switched on and off without operating the door. This is done by pressing the Light button on the Wall Switch or the hand held transmitter. The Light turns off after three minutes.

SECURITY CODE STORE

The Opener uses state of the Microchip technology in storing your Rolling Code

Transmitter Security Code. Up to 6 different transmitters can be stored in the non-volatile memory device. To store any code simply press the LEARN button on the Opener and press the transmitter button twice. The codes can be deleted at any time. Security is enhanced because the fixed and encrypted sections combined increase the number of combinations to 7.38 x 10¹⁸. There are no Dip switch on the Opener which can be visually seen and copied.

OPEN AND CLOSE DRIVE BUTTON

Another feature developed to aid in the installation of the Opener are the O/S/C Button. These buttons are used to help set the open and close limit positions. The quicker setting time and a more precise limit position can be achieved using this system.

AUTO CLOSE MODE

The Opener can be programmed to automatically close approximately thirty seconds after the door has opened. A Photoelectric Beam must be installed if this mode is selected.

AUTO RUN TIME

If the Motor is left running in the Opener for any reason the Auto Run Time will turn the motor off after thirty seconds.

PHOTO ELECTRIC BEAM(Optional)

The Opener has an input for a Photo Electric Beam to be connected for extra safety protection.

Backup Battery(Optional)

The opener can operate with the optional battery while the opwer supply failure

IN STALLATION and OPERATION

1. FIXING DRIVE UNIT TO DOOR(See Fig .1)

The drive unit can be fixed to the Roll Up Garage Door in a variety of ways. Below we will describe one method of fixing. Make sure there is enough room (135mm from end of door shaft to the wall) to slide drive unit onto shaft.

NOTE: THE INSTRUCTION FOR FIXING OF THE DRIVE UNIT TO THE DOOR IS FOR RIGHT HAND INSTALLATION.

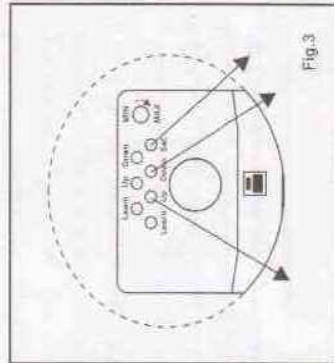
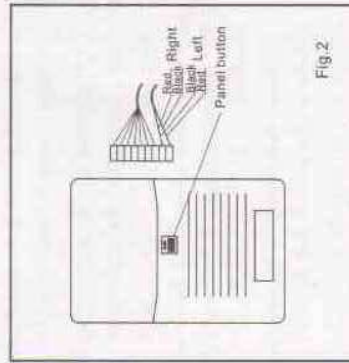
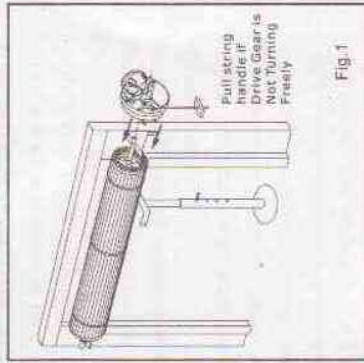
2. Set Up and down limit (See Fig.3)

2.1 Connect to power first, press Set button and hold 30 seconds. Red Down LED light on, entry the stage of setting down limit, press Down button and hold, the door start to close. (if the door do not move then pull the release handle to enable the motor, if the door start to open then switch the position of the red and black cable of motor following Fig 2). When the door hits the ground, release the Down button (if the position is not right, then you can adjust by Up and Down button). press Set button, Red Down LED light flashing 6 times. Then the green Up LED light on, then entry the stage of setting up limit.

2.2 Press Up button and hold, then the door start to open, when the door totally opened, release the button (if the position is not right, you can adjust by Up and Down button). After that Press Set button;

2.3 After press Set button the door start to close, and it will stop when the door totally closed, at the same time the Red Down LED flashing 6 times, it indicates that setting the up and down limit is succeeded.

NOTE: when the door totally opened, then you press the Set button, if the door no action, the globes flashing 6 times, it means the the distance between up and down limit is over 1 to 3 meters. The up and down limit needs to be reseted.



INSTALLATION and OPERATION

3 Set the rebound force (See Fig 4)

3.1 Put a wood cube below the door, then close the door. The door must start opening when it hits the wood cube, if not then turn the knob anti-clockwise to reduce the rebound force, until the door opening immediately when it hits the wood cube.

3.2 After that, remove the wood cube and open and close the door several times.

Remark: If the door starts opening when it is not fully closed, it indicates that the closing force is not big enough, you should turn the knob clockwise to enlarge the rebound force, then check again following 3.1-3.2.

4 How to learn a remote (Fig 11)

4.1 Press the Learn button, red Learn LED lighting, press button of remote. (the button which you want to use for control the door) twice, red Learn LED flashing 8 times then finish learning, then press the button of this remote to check if it can control the door.

4.2 learn other remote by same way:

Remark: the system only accept 20pcs remote, after it accept 20pcs remote if you press learn button Red Learn LED only flashing 1 time, then back to normal stage, if you want to add remote besides the 20pcs, you must delete all the 20pcs remotes following step 5.

5 How to delete the remote (See Fig 5)

5.1 Press and hold the learn button for 8 seconds, Red Learn LED flashing 1 time, then release the button, all the remote learned before was deleted.
NOTE: if the remote (already learned) lost, you must delete all the remote and learn the remote again.

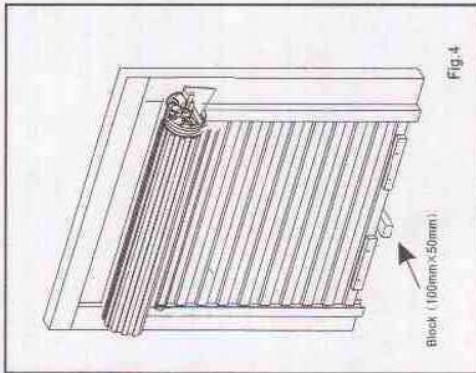


Fig.4

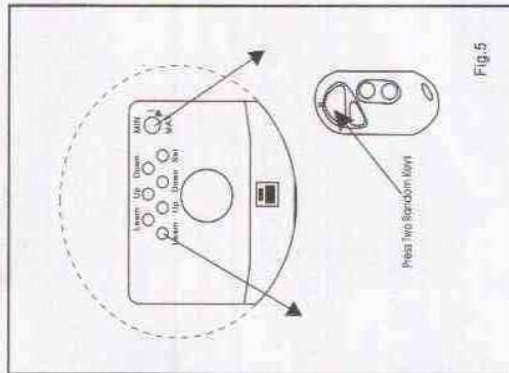


Fig.5

INSTALLATION and OPERATION

5. Install the wall-switch (Option)

Please install it following Fig 6 (Given by your supplier).

6. Install the photo-beam (Option)

Please install Photo-beam following Fig 6 (Given by your supplier).

NOTE: before install the photo-beam please re-move the jumper first following Fig 6.

7. Install the backup battery (Option)

Please install the backup battery following Fig 7 (Given by your supplier)

NOTE: Please make sure the wiring is correct, Voltage: DC24Volt

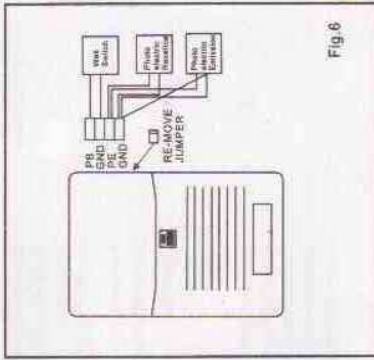


Fig.6

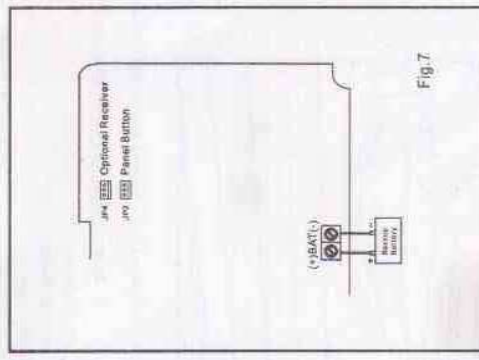


Fig.7